

Summer Pleasure in  
Winter Months...



 **THERMOKOZ**  
HEATING SYSTEMS

Thermokoz heat will surround you ...



Thermokoz solid fuel fired heating systems have been designed to burn fuels such as; agro pellet , olive husk, nut shelter, cherry stones up to 25 mm.

By benefiting from our high basic facility technology, Our boilers are produced with steel body, special smoke pipes, high efficient special turbulators and robust welding construction.

Unlike other boilers in the market, Thermokoz boilers do not have any back burn or smoke problem in the bunkers.

All our boilers have 3 pass system and via the available standard production flue damper on the boiler, It enables the user to regulate the flue draught of the boiler. For this reason, Since the heat is kept longer inside the boiler, A % 25 - %30 fuel savings is obtained.

The insulation material in the boiler is made of glass wool which minimizes the heat loss in the system.

The control of the boiler is managed by a full digital control unit besides this with the possibility of linking a room thermostat it provides a comfortable and an easy usage for the user.

It has the option to be connected a buffer tank for providing sanitary water.



## Automatic Ignition system

Thanks to this system, the initial ignition of the boiler is achieved automatically. By this way, User does not need any additional material for igniting the boiler. (is manufactured with the patent license rights of Kozlusan)

## Automatic Ash Removal System

This system removes the ashes out of the boiler or to the ash bins by combing the both sides of the burn pot with double screw augers.

Thanks to this, It provides a comfortable, safe and easy usage. (is manufactured with the patent license rights of Kozlusan)

## Motor Protection with Online Ampere Measurement

Thanks to this system developed to prevent the motor damage problem caused by the foreign materials found in the fuel, the ampere level on the motor is always measured, so the damage to the motor is prevented by being active in a possible sudden increase.

## More comfortable use with New Control Card Easy English Menu

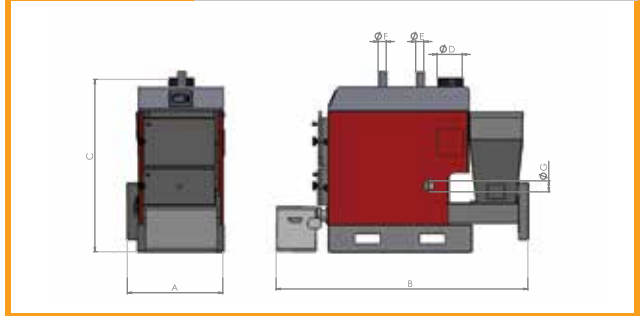
You can automatically start and stop the boiler any time you want during the week thanks to its feature of start-stop the system 3 times in seven day of the week. Digital Fan Control System; you can digitally adjust the fan cycles through and fuels can be combusted even in min. fan power to burn the light fuels such as prina.

Outside air temperature control sensor; increasing or decreasing automatically the heat of the boiler according to outside temperature variances. You can operate the boiler at the temperatures you adjust according to the time differences.

Sleep mode; It prevents the fire to burn out by becoming active at certain times.

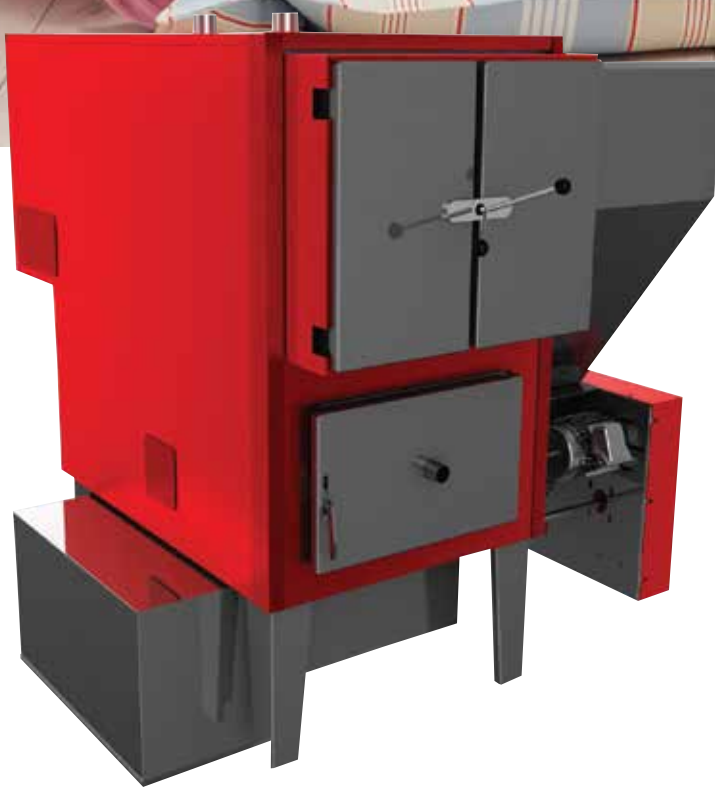
**Optional:** Hot Water Tank Temperature Sensor

TECHNICAL DRAWING SOLID FUEL FIRED BOILERS (BIOMASS BOILERS)



PRODUCT TYPES AND MEASURES

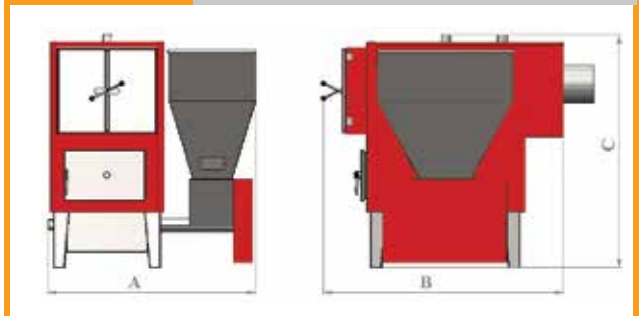
Model	Capacity (Kcal/h)	Weight (kg)	Volume (lt)	kW	Operation Pressure (bar)	Test Pressure (bar)	MEASURES							
							A (cm)	B (cm)	C (cm)	ØD chimney	F flow	G return	Imbisat Exit	H loading unloading
TRMO-20	20.000	350	70	23	3	4,30	80	160	120	14	1"	1"	1"	3/4"
TRMO-25	25.000	380	90	29	3	4,30	85	160	130	14	1"	1"	1"	3/4"
TRMO-40	40.000	450	110	46	3	4,30	75	170	140	14	1"	1"	1"	3/4"
TRMO-60	60.000	500	135	69	3	4,30	80	190	140	20	1 1/2"	1 1/2"	1"	3/4"
TRMO-80	80.000	580	165	93	3	4,30	85	190	145	20	2"	2"	1"	3/4"
TRMO-100	100.000	720	210	116	3	4,30	85	195	150	20	2"	2"	1"	3/4"
TRMO-130	130.000	820	275	150	3	4,30	90	240	170	20	2"	2"	1"	3/4"



Boilers between the capacities of 150.000 – 250.000 Kcal/H are produced with half-cylindrical design in 4 different models.

Thanks to its capacity, the fuel in the bunker of the boiler remains 2-3 days according to the consumption. The ash removal and modulation systems are optional.

TECHNICAL DRAWING HALF CYLINDER CENTRAL HEATING SYSTEMS



## PRODUCT TYPES AND MEASURES

Model	Capacity (Kcal/h)	Weight (kg)	Volume (lt)	kW	Operating Pressure (bar)	Test Pressure (bar)	MEASURES							
							A (cm)	B (cm)	C (cm)	ØD chimney	F flow	G return	Imbisat exit	H loading/unloading
TRMO-150	150.000	1200	460	174	3	4,30	190	200	190	30	2 ½"	2 ½"	1½"	¾"
TRMO-180	180.000	1400	520	209	3	4,30	190	205	190	30	2 ½"	2 ½"	1½"	¾"
TRMO-200	200.000	1780	830	232	3	4,30	220	230	200	30	2 ½"	2 ½"	1½"	¾"
TRMO-250	250.000	1920	900	290	5	4,30	220	220	205	30	2 ½"	2 ½"	1½"	¾"



For the sake of Heating...

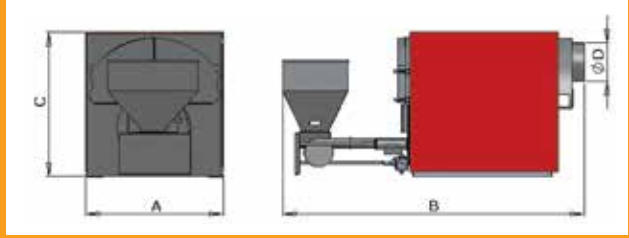
Boilers between the capacities of 300.000 – 1.000.000 Kcal/H are produced with full cylindrical design with 3 pass system.

Thanks to its capacity, the fuel in the bunker of the boiler remains 2-3 days according to the consumption.

The ash removal and modulation systems are optionals.



TECHNICAL DRAWING FULL CYLINDER CENTRAL HEATING SYSTEMS



### PRODUCT TYPES AND MEASURES

Model	Capacity (Kcal/h)	Weight (kg)	Volume (lt)	KW	Operating Pressure (bar)	Test Pressure (bar)	MEASURES							
							A (cm)	B (cm)	C (cm)	ØD chimney	F flow	G return	Imbisat exit	H loading unloading
TRMO-300	300.000	3200	1830	348	5	7,15	210	375	190	50	3"	3"	2"	2"
TRMO-350	350.000	3800	2000	407	5	7,15	210	400	190	50	3"	3"	2"	2"
TRMO-400	400.000	4000	2200	465	5	7,15	210	440	190	50	3"	3"	2"	2"
TRMO-450	450.000	4220	2840	523	5	7,15	210	470	190	50	3"	3"	2"	2"
TRMO-500	500.000	4500	3000	581	5	7,15	210	470	190	50	4"	4"	2"	2"
TRMO-550	550.000	4650	3200	639	5	7,15	210	470	200	50	4"	4"	2"	2"
TRMO-600	600.000	4750	3380	697	5	7,15	210	470	200	50	4"	4"	2"	2"
TRMO-700	700.000	5200	4260	814	5	7,15	245	490	215	50	5"	5"	2 ½"	2 ½"
TRMO-800	800.000	5500	4670	930	5	7,15	245	520	215	50	5"	5"	2 ½"	2 ½"
TRMO-1000	1.000.000	6000	5500	1160	5	7,15	270	560	250	60	5"	5"	2 ½"	2 ½"

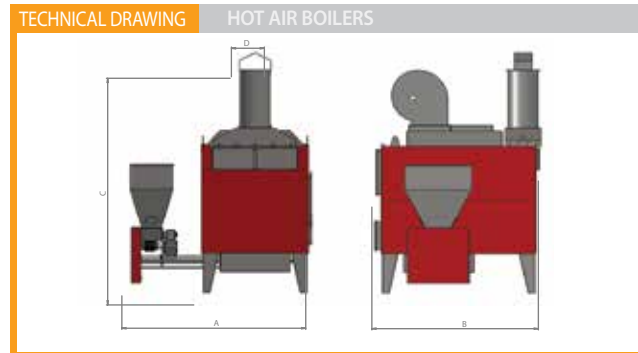
The temperature of the ambience is controlled via the ambience thermostat. When the ambience temperature is achieved, combustion stops and boiler goes into idle mode. This provides fuel savings for the user.

When the boiler is in operation and providing heat, it does not consume the oxygen inside the ambience. Thanks to this the disease risks for the plants have been eliminated.

A clean hot air is obtained in every square meter and the high humidity is eliminated.

The hot air is delivered via fire proof air socks.

Thermokoz is able to design different climation configurations with full and continuous automation according to the demand of the greenhouses.



## PRODUCT TYPES AND MEASURES

Model	Weight (kg)	Capacity (Kcal/h)	MEASURES				
			A (cm)	B (cm)	C (cm)	ØE Hot Air Outlet	ØD chimney (cm)
TRMH-100	1400	100.000	180	250	190	45	25
TRMH-150	1550	150.000	215	250	205	45	25
TRMH-200	1650	200.000	220	265	220	45	25
TRMH-250	1750	250.000	250	315	230	60	30
TRMH-300	2200	300.000	200	345	245	60	30
TRMH-400	2500	400.000	220	365	285	60	30
TRMH-500	2800	500.000	380	275	330	75	40
TRMH-600	3200	600.000	380	275	340	75	40
TRMH-700	3900	700.000	425	275	350	75	50
TRMH-800	4100	800.000	425	300	350	75	50
TRMH-1000	4500	1.000.000	450	350	375	75	50

Thermokoz Hot air blowing solid fuel fired heating systems have been designed to burn biomass fuels such as ; wood pellet , olive husk , nut shelter, cherry stones up to 25 mm.

Similar to the wood pellet range of boilers fuel is stored in a hopper and fed into the burn pot via a screw auger. A similar series of augers expel the burned ash into dedicated ash collection bins. The mixing system is a standart and automatic equipment. It provides a % 100 activation of the combustion since the moving mechanisation eliminates the formation of the cinders around the burn pot.

Industrial applications include heating green houses, poultry houses, mushroom tunnels, drying grain, space heating factories and commercial premises.

The burn pot of the boiler has been designed with a circle shape for providing a productive combustion and fuel savings. High quality and thick construction materials are used for the durability of the boiler.

Thanks to its digital control panel it provides an easy usage for the users.

The insulation of the boiler is managed with stone wool and glass wool in order to minimize the heat loss of the boiler.

The temperature of the ambiance is controlled via the ambiance thermostat. When an ambiance temperature is achieved , combustion stops and boiler goes into idle mode.This provides fuel savings for the user.

### Poultry Heating Systems

When the boiler is in operation and providing heat , it does not consume the oxygen inside the ambiance.All the risks because of lack of oxygen have been eliminated. A clean hot air is obtained in every square meter and the high humidity is eliminated.

The hot air is delivered via fire proof air socks.



Can be installed on grain dryer systems and liquid fuel fired heating systems

SLIMPEL is one of the newest products of Thermokoz that specifically designed to be installed in narrow spaces.

SLIMPEL is not only a cost-effective but also a high efficient and an environment friendly boiler.

## SLIMPEL Operational Features Include ;

- Automatic Ignition
- Automatic fuel feed
- Automatic burner grate cleaning
- Easy heat exchanger cleaning ( with the black handle at the top )
- Full modulation combustion control ( 100 Steps – low power operational ability )
- Fuel level Sensor and Refill Control
- Thermal Storage Tank Management
- Day and Night Compensation
- Outside Temperature Compensation
- Clock and Daily on/off cycle timer
- Internet connection and remote administration
- Weekly programming
- Easy to use menu driven control panel
- Specifically designed to burn wood pellets
- Draught Fan
- Pellet Bunker Capacity : 130 KG



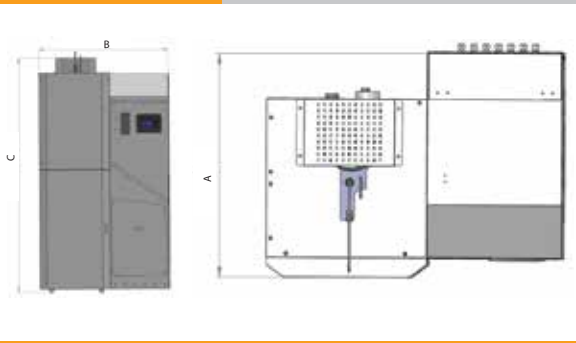
**Class -5**

EN 303-5/2012

## Boiler Description

1. Burn back protection
2. External warning signal
3. High limit cut of thermostat
4. Frost protection
5. Emergency Button
6. Overload cut off
7. Secondary Air

### TECHNICAL DRAWING



\*\*\* Meeting all the desired standards with its cost-effective price, high quality parts, high technological operational features and easy assembly boiler unit, SLIMPEL is ready to be one of the members of your family.

### PRODUCT TYPES AND MEASURES (NEW TYPE)

Model	Min./Max. Capacity Output	Weight (kg)	Volume (lt)	Operating Pressure (bar)	Test Pressure (bar)	MEASURES							
						A (mm)	B (mm)	C (mm)	Ø (mm) Chimney	F go	G return	Expansion Exit	H loading unloading
SLIMPEL-10	3-8 kW	270	40	3	4,30	640	740	1650	128	1"	1"	¾"	¾"
SLIMPEL-15	5-15 kW	320	48	3	4,30	750	980	1780	128	1"	1"	¾"	¾"
SLIMPEL-25	5-25 kW	320	48	3	4,30	750	980	1780	128	1"	1"	¾"	¾"
SLIMPEL-40	8-40 kW	380	90	3	4,30	760	1050	1900	128	1"	1"	¾"	¾"



## A. Use

The biomass burning equipment (burning 6 mm wood pellets) has been designed for heating of smaller buildings. (e.g. domestic premises and offices etc.)

## B. Boilers Description

Introduced in May 2011 latest modulation technology safety features including:

1. Burn Back Protection
2. External warning signal
3. High limit cut off thermostat
4. Frost protection
5. Cycle burnout
6. Overload cut off
7. Secondary Air

## C. Operational Features Include

1. Automatic Ash Removal
2. Automatic Ignition
3. Automatic Heater Exchanger Cleaning
4. Automatic Burner Grate Cleaning
5. Fuel level sensor and refill control
6. Outside Temp. Compensation
7. Day and Night Compensation
8. Clock and Daily on/off cycle timer
9. Multi heating circuit controls
10. Thermal storage tank management
11. Full modulation burning control
12. Links to external management system
13. Internet connection and remote administration
14. Easy to use menü driven control panel
15. Specifically designed to burn wood pellets
16. Draught fan
17. Optional: Lamba probe (high efficient with a Lambda probe)
18. Optional: Vacuum turbine (Pellet transport)
19. Pellet capacity 200 kg.



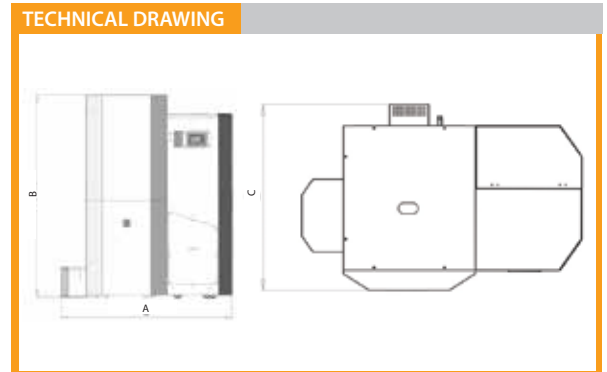
**Class -5**

EN 303-5/2012



## Domestic Wood Pellet Boiler Range

Type and capacity range :  
**Hydronic 14 kW - 99 kW**



### PRODUCT TYPES AND MEASURES (NEW TYPE)

Model	Min./Max. Capacity Output	Weight (kg)	Volume (lt)	Operating Pressure (bar)	Test Pressure (bar)	MEASURES							
						A (mm)	B (mm)	C (mm)	Ø (mm) Chimney	F 90°	G return	Expansion Exit	H loading unloading
PROPEL-14	5 - 14 kW	400	50	3	4,30	950	1500	1650	128	1"	1"	¾"	¾"
PROPEL-25	5 - 25 kW	450	65	3	4,30	950	1500	1650	128	1"	1"	¾"	¾"
PROPEL-40	8 - 40 kW	510	115	3	4,30	1000	1600	1900	128	1"	1"	¾"	¾"
PROPEL-70	25.4-70 kW	940	311	3	4,30	1700	1860	1800	200	2"	2"	1"	1"
PROPEL-100	25.4-99 kW	940	311	3	4,30	1700	1860	1800	200	2"	2"	1"	1"



Manual Feed Boilers have been designed to burn wood logs and wood briquettes.

By benefiting from our high basic facility technology, Our boilers are produced with steel body , special smoke pipes, high efficient special turbulators and robust welding construction .

Thanks to the 2 different safety thermostats on the electronic control panel, the possible risks have been eliminated.

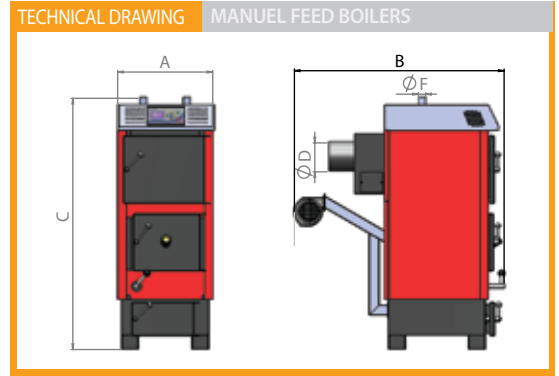
The fan and flue equipments on the boiler are produced with a damper in order to keep the heat inside the boiler.Thanks to this system, since the heat is kept longer , A % 25 - %30 fuel savings is obtained.

Thanks to its durable and wide covers, the fuel feed and the ash removing can be done easily and comfortably.

It has the option to be connected a buffer tank for providing sanitary water.

Between the capacities of TRMM-25 and TRMM-100 series automatic Ignition is a standart equipment.

Thanks to this the initial ignition of the boiler is achieved automatically.



## ÜRÜN ÖLÇÜ VE TIPLERİ (OTOMATİK YÜKLEMELİ MODELLER)

Model	Capacity (Kcal/h)	Weight (kg)	Volume (lt)	kW	Operation Pressure (bar)	Test Pressure (bar)	ÖLÇÜLER							
							A (cm)	B (cm)	C (cm)	ØD chimney	F flow	G return	Expansion exit	H loading unloading
TRMM-20	20.000	300	75	23	3	4,30	60	90	140	18	1"	1"	1"	¾"
TRMM-25	25.000	335	85	29	3	4,30	60	95	155	18	1"	1"	1"	¾"
TRMM-40	40.000	350	105	46	3	4,30	70	95	160	18	1"	1"	1"	¾"
TRMM-60	60.000	385	160	69	3	4,30	70	105	160	18	1½"	1½"	1"	¾"
TRMM-80	80.000	620	175	93	3	4,30	70	115	165	20	2"	2"	1"	¾"
TRMM-100	100.000	700	210	116	3	4,30	75	145	165	25	2"	2"	1"	¾"
TRMM-130	130.000	750	250	150	3	4,30	80	150	170	25	2"	2"	1"	¾"
TRMM-150	150.000	1050	460	174	3	4,30	110	160	185	25	2½"	2½"	1½"	1½"
TRMM-180	180.000	1170	520	209	3	4,30	110	160	200	25	2½"	2½"	1½"	1½"
TRMM-200	200.000	1380	830	232	3	4,30	120	190	200	30	2½"	2½"	1½"	1½"
TRMM-250	250.000	1500	900	290	3	4,30	150	210	220	30	2½"	2½"	1½"	1½"
TRMM-300	300.000	3100	1830	348	5	7,15	205	270	205	50	3"	3"	2"	2"
TRMM-350	350.000	3250	2000	407	5	7,15	205	290	205	50	3"	3"	2"	2"
TRMM-400	400.000	3450	2200	465	5	7,15	205	330	205	50	3"	3"	2"	2"
TRMM-450	450.000	3700	2840	523	5	7,15	205	360	205	50	3"	3"	2"	2"
TRMM-500	500.000	4150	3000	581	5	7,15	200	320	215	50	4"	4"	2"	2"
TRMM-550	550.000	4300	3200	639	5	7,15	200	335	215	50	4"	4"	2"	2"
TRMM-600	600.000	4610	3380	697	5	7,15	200	355	215	50	4"	4"	2"	2"
TRMM-700	700.000	5100	4260	814	5	7,15	220	360	225	60	5"	5"	2½"	2½"
TRMM-800	800.000	5500	4670	930	5	7,15	220	385	225	60	5"	5"	2½"	2½"
TRMM-1000	1.000.000	6000	5500	1160	5	7,15	260	410	260	60	5"	5"	2½"	2½"

